

Smart String Inverter

SUN2000-33KTL



Smart

- 6 strings intelligent monitoring and fast trouble-shooting
- Power Line Communication (PLC) supported

Efficient

- Max. efficiency 98.6%, CEC. efficiency 98.3%
- 3 MPPTs for versatile adaptations to different layouts

Safe

- DC disconnect integrated, safe and convenient for maintenance
- Type II surge arresters for both DC and AC
- Residual Current Monitoring Unit (RCMU) integrated inside
- Fuse free design

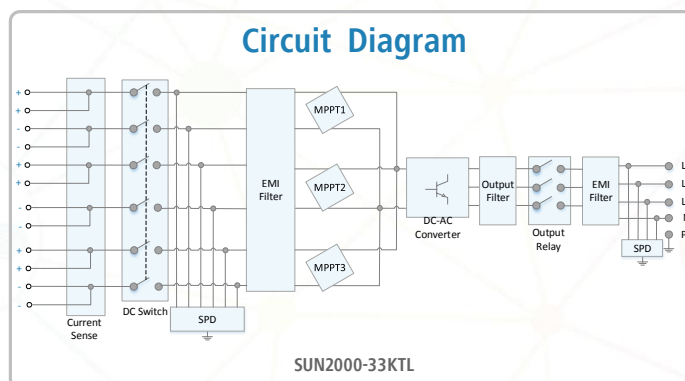
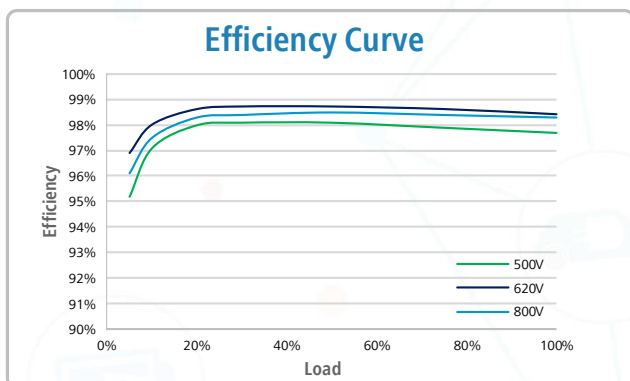
Reliable

- Natural cooling technology
- Protection rating of IP65

Smart String Inverter (SUN2000-33KTL)



Technical Specifications	SUN2000-33KTL
	Efficiency
Max. Efficiency	98.6%
European Efficiency	98.3%
	Input
Max. Input Voltage	1,000 V
Max. Current per MPPT	23 A
Max. Short Circuit Current per MPPT	34.5 A
Start Voltage	250 V
MPPT Operating Voltage Range	200 V ~ 950 V
Max. Number of Inputs	6
Number of MPP Trackers	3
	Output
Rated AC Active Power	30,000 W
Max. AC Apparent Power	33,000 VA
Max. AC Active Power (cosφ=1)	30,000 W / 33,000 W
Rated Output Voltage	220 V / 380 V, 230 V / 400 V, 3W+PE/3W+N+PE
Rated AC Grid Frequency	50 Hz / 60 Hz
Max. Output Current	48 A
Adjustable Power Frequency	0.8 LG ... 0.8 LD
Max. Total Harmonic Distortion	< 3%
	Protection
Input-side Disconnection Device	Yes
Anti-islanding Protection	Yes
AC Overcurrent Protection	Yes
DC Reverse-polarity Protection	Yes
PV-array String Fault Monitoring	Yes
DC Surge Arrester	Type II
AC Surge Arrester	Type II
Insulation Monitoring	Yes
Residual Current Monitoring Unit	Yes
	Communication
Display	LED Indicators, Bluetooth +APP
USB	Yes
RS485	Yes
PLC	Optional
	General
Dimensions(W x H x D)	550 x 770 x 281 mm (21.7 x 30.3 x 11.1 inch)
Weight (with mounting plate)	56 kg (123.5 lb.)
Operation Temperature Range	-25 °C ~ +60 °C (-13 °F ~ +140 °F)
Cooling	Natural Convection
Max. Operating Altitude	4,000 m (13,123 ft.)
Relative Humidity	0 ~ 100%
DC Connector	Amphenol Helios H4
AC Connector	Waterproof PG Terminal + OT Connector
Protection Rating	IP65
Topology	Transformerless
	Standards Compliance
Safety	EN/IEC 62109-1, EN/IEC 62109-2
Grid Code	IEC 61727, IEC62116, VDE-AR-N4105, VDE 0126-1-1, BDEW 2008, G59/3, UTE C 15-712-1, CEI 0-16, CEI 0-21, RD661/2007, RD 1699/2011, RD 413/2014, PO 12.3, EN-50438-Turkey, EN-50438-Ireland, PEA, MEA, Resolution No.7, NRS 097-2-1



The text and figures reflect the current technical state at the time of printing. Subject to technical changes. Errors and omissions excepted. Huawei assumes no liability for mistakes or printing errors. For more information, please visit solar.huawei.com. Version No.:01-(20170830)